



*Tablets
Capsules
LCT's
Softgels*

Up to 70,000 PPH

Delta Printer

One or Two-Sided Rotogravure Printing
Single-Lane Carrier Link Feed System

Delta Printer

Rotogravure Printing System for Tablets & Capsules

The Delta Ink Printing machine is a versatile and user-friendly printing machine. This machine can print on many different shapes or sizes of tablets, soft gelatin capsules, and two-piece hard gelatin capsules. The Delta Ink Printing Machine can print one or both sides of a product, as well as axle or spin print.

Features

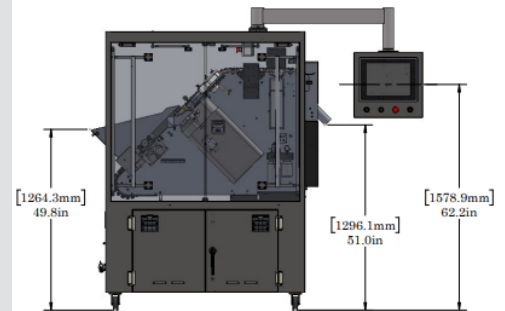
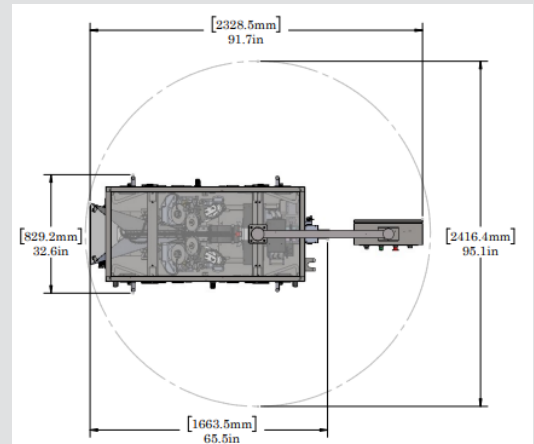
- Single or two-sided printing
- Adjustable hopper for maximum fill rate
- Servo drive system for precision print registration
- Quick change tooling
- Swingarm 15" touchscreen HMI
- Wi-Fi connectivity
- Batch recording
- Data transfer capability
- 21 CFR Part 11 Compliant
- CE and UL certified

Capabilities

- Output Up to 70,000 / Hour
- Single or Double Sided Printing with independent graphics for each side
- Single Sided marking using time proven rotogravure printing
- Ability to print alpha-numeric text or graphic logos
- Ability to print with solvent or water based ink solutions
- Ability to print in multiple ink colors

Options

- Vision inspection system with single piece rejection
- Ink Viscosity System
- Rubber Roll Cleaning System
- Validation document packages
- Floor level infeed bulk conveyor



Safety & Regulatory Compliance

- cGMP for Pharmaceuticals:
- FDA 21 CFR Compliance:
 - Part 210
 - Part 211
 - Part 11
- CE Compliant
- NFPA 79
- IEC / EN 60204-1
- ISO 13849-1
- CRC, c 870
- CDRH Compliant

Specifications

H	2150mm / 84.6in
H1	1264.3mm / 49.8in
H2	1578.9mm / 62.2in
W1	829.2mm / 32.6in
W2	2416.4mm / 95.1in
L1	1663.5mm / 65.5in
L2	2328.5mm / 91.7in
POWER	240 VAC / 20 amp / 1 phase
AIR PSI	Air 90 psi @ 5 scfm



Made in the USA